

# INSTALLATION INSTRUCTIONS

## Contempo Round Trim For J-COM-CSV

Part #B426 TRIM



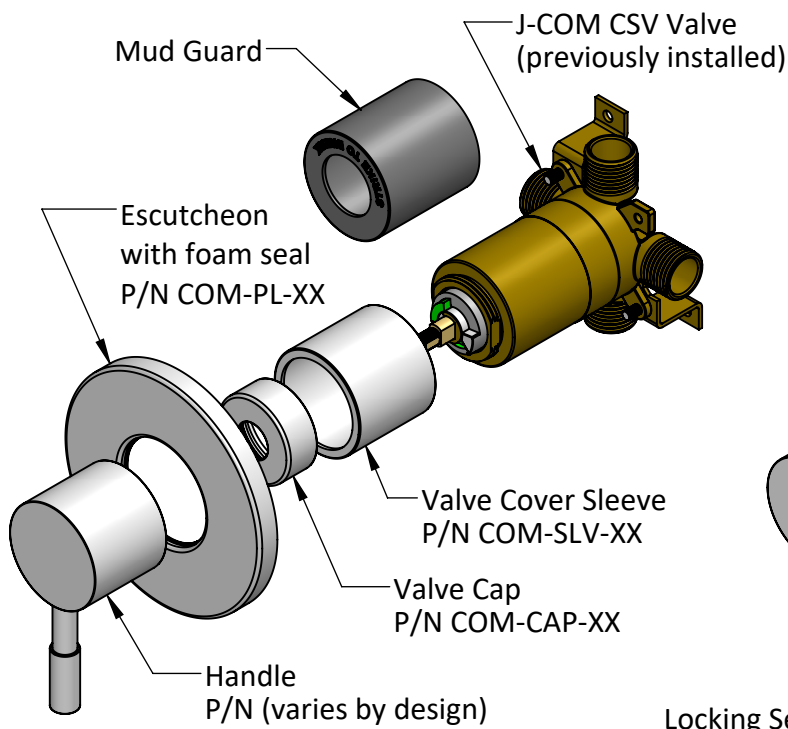
### Materials provided:

Trim components shown below  
1 Pkg. Installation hardware

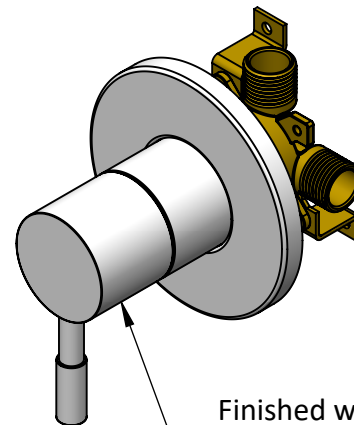


### Recommended tools:

3/32" Hex L-Key (Allen Wrench)  
Strapwrench

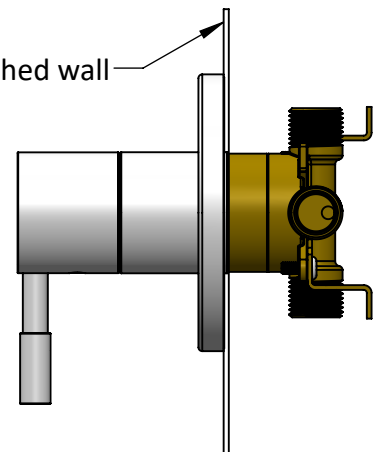


### Component Detail



Finished wall  
Locking Set Screw access is underneath

### As Installed



**Step 1:** Tap (or strike lightly to break free) the black Mud Guard, remove and dispose.

**Step 2:** Slide the Valve Cover Sleeve onto the valve until seated properly. Then thread the Valve Cap on tightly to secure the Valve.

**Step 3:** Slide the Escutcheon over the Sleeve until firmly pressed against the finished wall.

**Step 4:** Attach the Handle, then tighten the Handle locking set screw to the Valve Stem. (Note: the set screw access is underneath the body of the handle).

To learn more about JACLO's warranty, please visit [\*\*jaclo.com\*\*](http://jaclo.com)