

# INSTALLATION INSTRUCTIONS

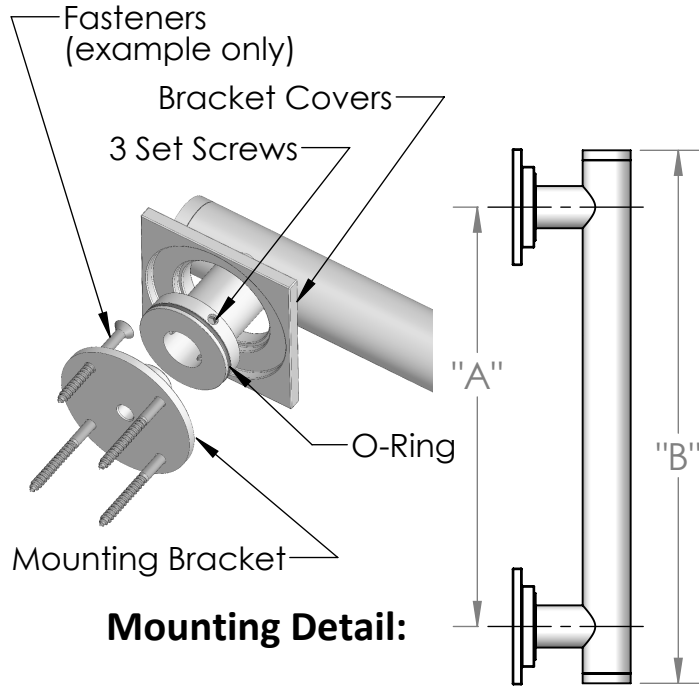
## Grand Grab Bar with Square / Diamond Flange

Part #C17-12, C17-16, C17-18, C17-24, C17-32, C17-36

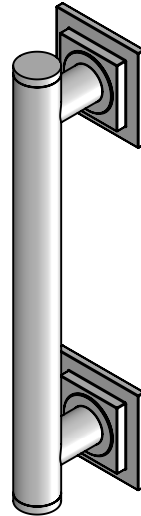


### Materials provided:

- 1ea. Grab Bar assembly
- 1 Pkg. Installation hardware



### Mounting Detail:



### Recommended tools:

- Drill with long shank bits
- Long shank Phillips screwdriver
- 3/32" Hex L-Key (Allen Wrench)
- Level

Part #	A	B
C17-12	12"	13 7/8"
C17-16	16"	17 7/8"
C17-18	18"	19 7/8"
C17-24	24"	25 7/8"
C17-32	32"	33 7/8"
C17-36	36"	37 7/8"

### Step 1:

Slide the mounting bracket covers back to access the mounting bracket and locking set screws.

### Step 2:

Verify the mounting location, and mark the 8 fastener centers relative to the "A" dimension shown above. Use all 4 mounting holes provided in each bracket to install the JACLO Grab Bar.

### Step 3:

Loosen all 3 set screws and remove the mounting brackets from the JACLO Grab Bar. Use the appropriate fastener type required for specific wall materials and backing.

**Note:** Follow the fastener manufacturer's instructions when using Moly bolts, wood screw anchors, toggle bolts, Wingits, cement anchors, etc. for installations of the JACLO Grab Bar. Adhere to local building codes for installation compliance of the JACLO Grab Bar.

### Step 4:

Slide the bar onto the mounting bracket studs. Tighten the 3 locking set screws in each mounting bracket, then slide the bracket covers flush to the wall.

To learn more about JACLO's warranty, please visit [\*\*jaclo.com\*\*](http://jaclo.com)