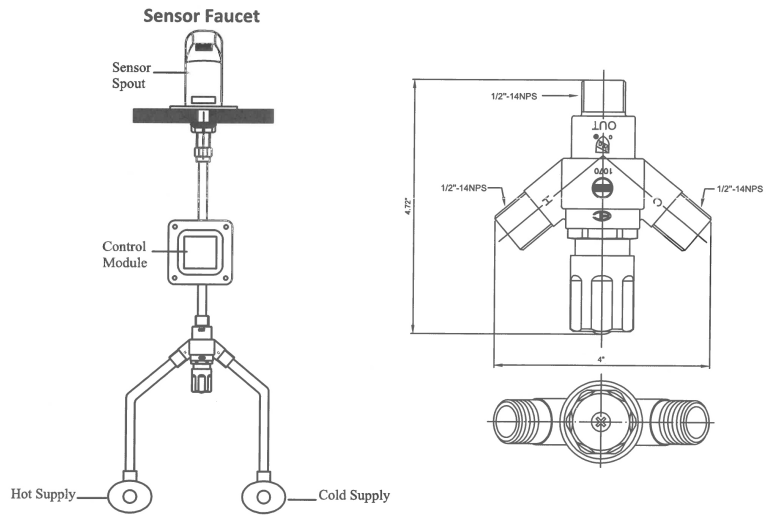


INSTALLATION INSTRUCTIONS

Thermostatic Mixing Valve for Sensor Faucet Part #: J-TP603



Specifications **ASSE-1070**

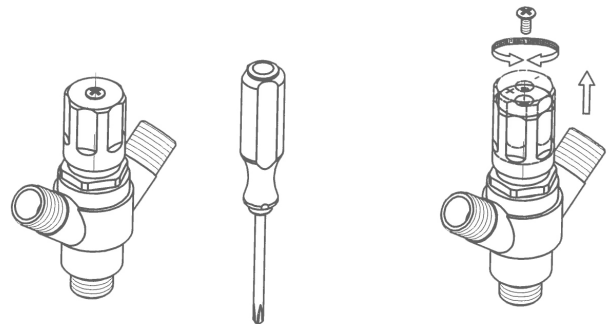
| | |
|------------------------|-------------------------------------|
| Temperature Adjustment | 80 – 120°F (27 – 54°C) |
| Pressure Between | 20 ~ 125 PSI (140 ~ 860 kPa) |
| Temp. hot supply | 120 – 180°F (49 – 82°C) |
| Temp. cold supply | 39 – 80°F (4 – 27°C) |
| Minimum Flow | 0.5 gpm (1.9 lpm) |
| Listing | ASSE-1070, cUPC, and NSF 61-9 & 372 |

INSTALLATION

1. Install the valve in a location that is easily accessible for service and adjustments, and as close to the point of use as possible.
2. Remove any remaining water from the system.
3. Thoroughly flush both the hot and cold delivery lines before installing the valve.
4. The valve can be installed in any position. Ensure the hot water supply is connected to the "H" side and the cold water supply to the "C" side.

TEMPERATURE ADJUSTMENT

1. Allow the water to flow for at least two minutes to ensure the supply temperature stabilizes.
2. Place a thermometer in the outlet water stream.
3. To remove the screw, use a Phillips screwdriver and insert it into the slot located at the base of the blue cap.
4. Gently lift the cap about 1/4 inch. Rotate the handle clockwise to decrease the temperature and counter-clockwise to increase it.
5. Lower the handle and tighten the screw.
6. Check the outlet temperature to ensure it is set correctly.



To learn more about JACLO's warranty, please visit [**jaclo.com**](http://jaclo.com)